

# PROJECT DETAILS

**Customer:** Freixenet  
**Location:** Sant Sadurní d'Anoia - Spain  
**Year:** 2006  
**Sector:** Supply  
**Division:** Industrial wastewater / Waste recovery

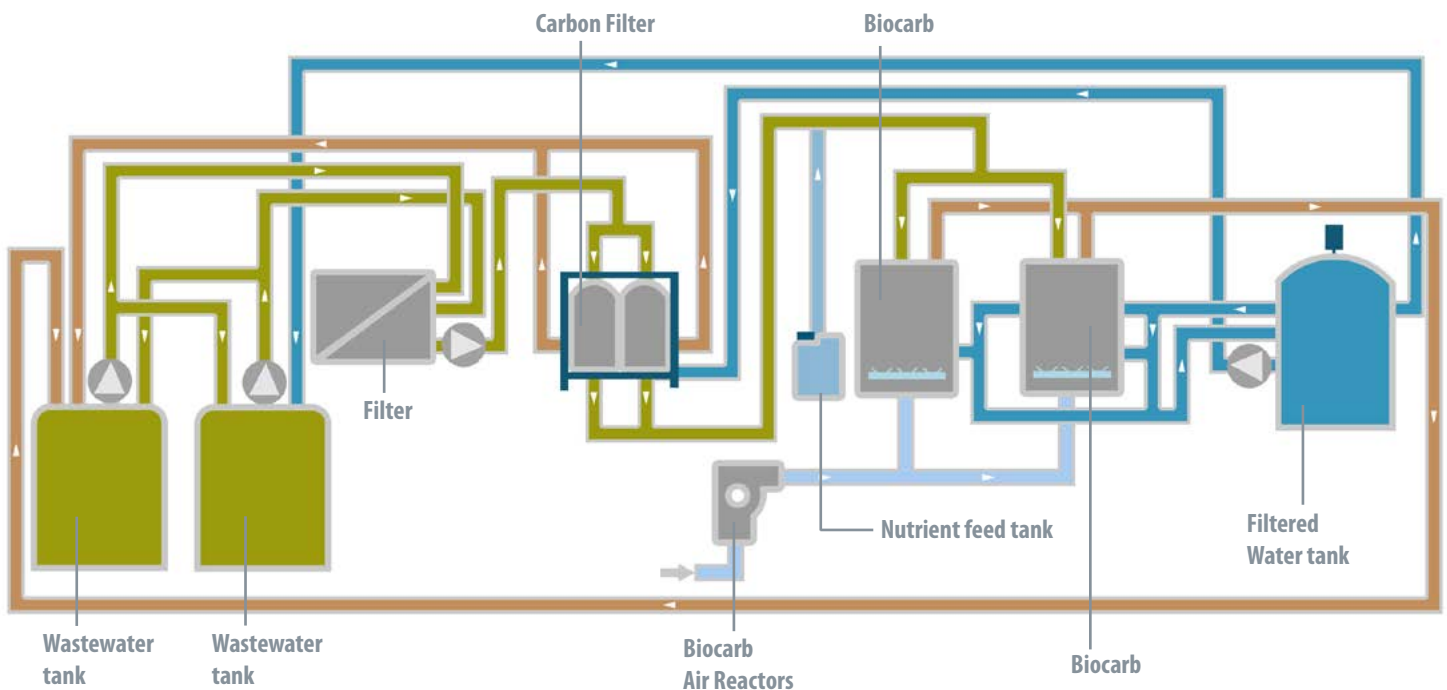


## PROJECT DESCRIPTION

The Freixenet Group is a family business that has 18 wineries in 7 countries on 3 continents.

Other Condorchem Envitech projects for the Freixenet Group: UCSA (Unió de Cellers del Noya, SA).

- Request 1:** Treatment of 1250 m<sup>3</sup>/week of wastewater from the cava production process. The implementation of a purification process is requested to increase the efficiency of the previous process by 20% and respect the local landscape as far as possible.
- Request 2:** Concentration of effluent with ammonium sulfate from a cava bottle chemical grinding plant.
- Solution 1:** Complete biological treatment plant BIOCARB 2 x 25 MC.
- Solution 2:** ENVIDEST MVR FF 1500 vacuum evaporator made of a special anticorrosive material.



## RESULTS

- Residual effluent discharge to conform at the collector (Biocarb Plant).
- TRUE ZLD Recycling of distilled water to process and to obtain a concentrated solution of ammonium sulfate as a by-product to be sold to third parties.

# CONTACT INFORMATION

## EUROPE

---

### BARCELONA

✉ ce.europe@condorchem.com  
☎ +34-937-547-705  
📍 Suissa, 32  
08338 - Premià de Dalt  
Barcelona

### WORCESTER

✉ ce.europe@condorchem.com  
☎ +44 (203) 4992657  
📍 Unit D Broomhall Business Centre 2  
Broomhall Lanet  
Worcester  
WR5 2NT

### LYON

✉ ce.france@condorchem.com  
☎ +33 (0) 423100166  
📍 Innovative Process Platform  
Axel-One  
Rond Point de l'échangeur  
Les Levées  
Solaize  
Lyon - 69360

## AMERICA

---

### SAN FRANCISCO

✉ ce.usa@condorchem.com  
☎ +1 (415) 604-9984  
📍 649 Mission St., 5th Floor  
San Francisco, CA - 94105

### MEXICO CITY

✉ ce.mexico@condorchem.com  
☎ +52-551-113-2201 / +52-155-250-82413  
📍 Temoaya 18a, 3º  
despacho 301  
Col.Centro Urbano  
55700 - Cuautitlan Izcalli  
Estado de Mexico